

Product Datasheet

EXP-AH-45G/P EXP-AH-45GS/P Emergency Eye/Face Wash - *Plumbed in*

Pedestal mounted freeze protected emergency eye/face wash unit ideal for cold climates. The eye/face wash has high flow rate aerated diffusers for improved washing action and incorporates an integral lid connected to the water valve for automatic operation when the lid is pulled down. Available with either galvanised mild steel or 316L stainless steel pipework.



Specifications

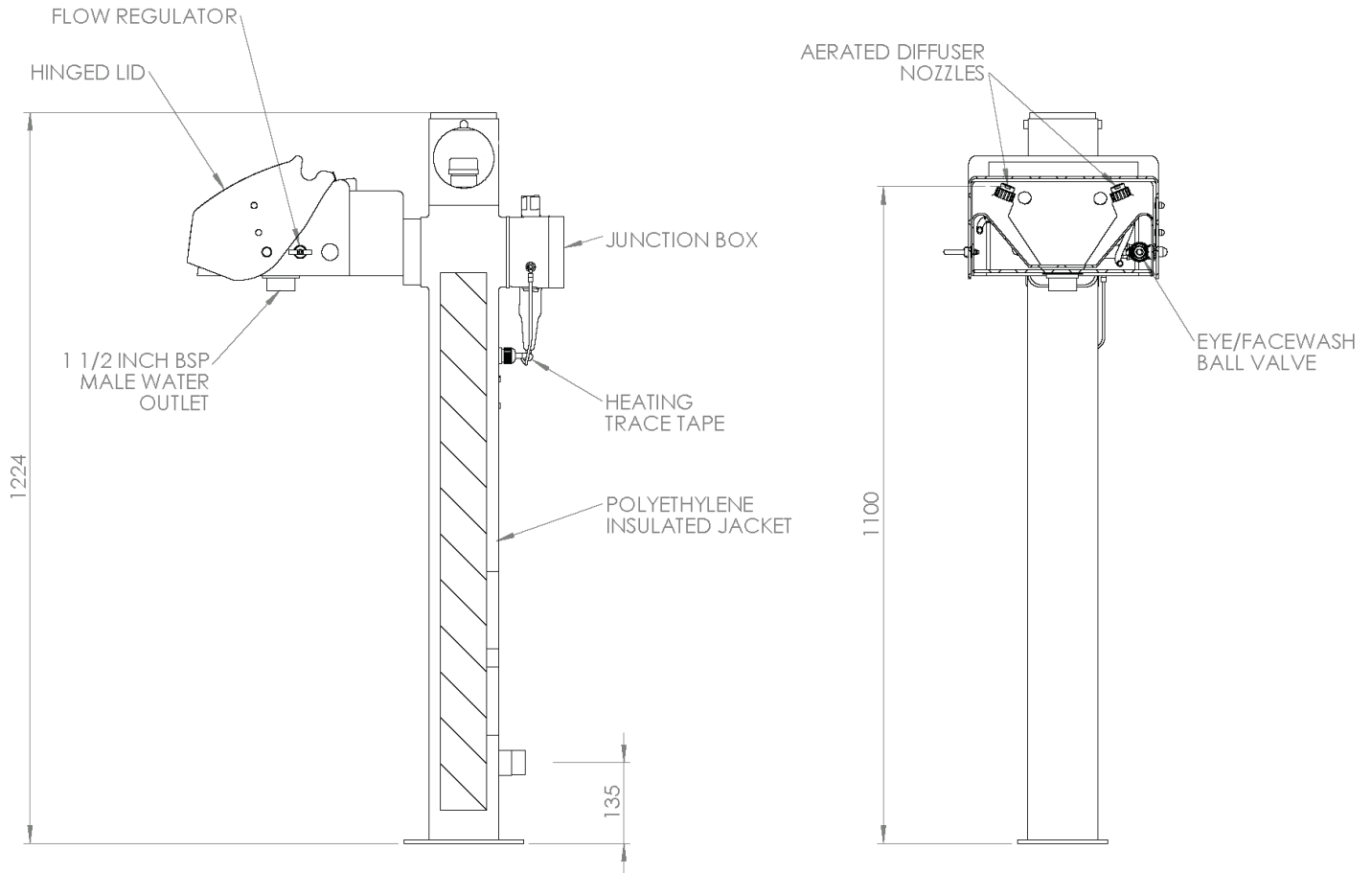
MATERIALS OF CONSTRUCTION	
PIPEWORK AND FITTINGS (G)	Galvanised mild steel with 150lb medium wall tubulars and fittings
PIPEWORK AND FITTINGS (GS)	316L stainless steel with 150lb medium wall tubulars and fittings
OPERATING VALVE	Chrome plated brass
INSULATION & OUTER CASING	Polyurethane foam insulation with a medium density polyethylene impact resistant outer casing
STANDARD FINISH (Stainless steel)	White with green/white safety stripes (alternative colours available)
SERVICES	
WATER INLET	1 1/4" Male BSP
DESIGN OPERATING PRESSURE	2.0 to 6 BAR G (29 to 87 PSI) (higher supply pressures accommodated with the incorporation of the optional pressure reducing valve)
HEATING TYPE	Trace tape heated and pre-insulated
HEATING LOAD	36 Watts
ELECTRICAL EQUIPMENT - Non-hazardous	Suitable for use in areas classified as non-hazardous
ELECTRICAL EQUIPMENT - Hazardous	ATEX Zone 1 & 2 Gas Groups IIA and IIB, Temp Class T3 (IIC available)
ELECTRIC SUPPLY	230V Single Phase, 50/60Hz or 110V available
TEST PRESSURE	10.3 BAR G (149 PSI)
MINIMUM FLOW AT OPERATING PRESSURE	Eye/face wash: 12 litres/minute minimum (3 US Gallons)
ENVIRONMENTAL OPERATING TEMPERATURE	
MINIMUM AMBIENT OPERATING TEMPERATURE	-20° C (-4° F)
MAXIMUM AMBIENT OPERATING TEMPERATURE	35° C (95° F)
OPERATIONAL	
EYE/FACE WASH OPERATION	Pull lid forward (optional treadle foot control for hands free operation)
WEIGHTS and DIMENSIONS	
DIMENSIONS - STANDARD ORIENTATION (WxDxH)	320mm (12.6in) x 640mm (25.2in) x 1224mm (48.2in)
WEIGHT (NO OPTIONS)	14kg (31lbs)

View our Guide to the ANSI/ISEA Z358.1-2014 International Standard for Emergency Eyewash and Shower Equipment at www.hughes-safety.com

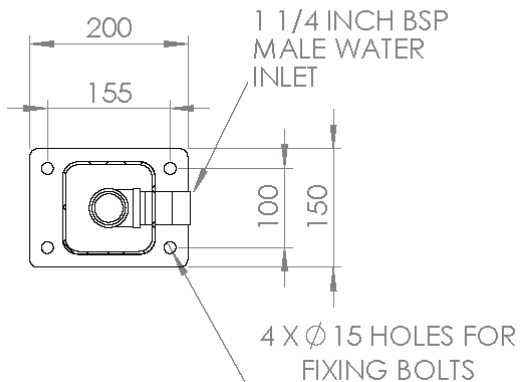


EXP-AH-45G/P
EXP-AH-45GS/P

Emergency Eye/Face Wash - Plumbed in



FIXING DETAILS VIEW



HUGHES



HUGHES-SAFETY.COM

a Justrite® Group Company

Hughes Safety Showers Ltd, Whitefield Road, Bredbury, Stockport SK6 2SS UK.

Email: info@hughes-safety.com

Tel: +44 (0)161 430 6618

Registered No. 0939240. VAT Registration No. 918 5005 32. Hughes Safety Showers Ltd is a Justrite Group Company.

V1.1