

# Product Datasheet

## EXP-MH-14K/2000 - POLAR EXP-MH-14KS/2000 - POLAR Emergency Tank Shower



Designed for severely cold climates, this polar emergency tank shower is suitable for use in hazardous and non-hazardous environments. Designed to meet and exceed ANSI standards by providing tepid water for over 15 minutes at a guaranteed flow of 76 litres per minute, even when there is no mains water supply. Optional eye/face wash unit can be mounted internally or externally. Available with either galvanised mild steel or stainless steel frame.

## Specifications

### TECHNICAL DATA

INLET CONNECTION SIZE & TYPE	3/4" BSP Female
SHOWER OPERATION	Panic bar (optional foot panel control)
EYE/FACE WASH OPERATION	Lift lid (optional foot treadle control)
SUPPLY PRESSURE	0.5 to 10 BAR G (7 to 145 PSI)
FLOW AT OPERATING PRESSURE	Shower - 76 litres/minute (20 US gallons). Eye/Face wash - 12 litres/minute (3 US gallons)
ELECTRICAL EQUIPMENT - Non-hazardous	Suitable for use in areas classified as non-hazardous
ELECTRICAL EQUIPMENT - Hazardous	ATEX Zone 1 & 2. Gas groups IIA & IIB. Temp Class T3 (IIC available)
ELECTRICAL SUPPLY	230V, single phase, 50Hz (110V optional)
IMMERSION HEATER	3000W - 240V or 1700W - 110V

### MATERIALS OF CONSTRUCTION

SHOWER ROSE	GRP and stainless steel
PIPING & VALVE MATERIALS	uPVC and stainless steel
CONTROL VALVE - SHOWER	uPVC 1 1/2" BSP ball valve
CONTROL VALVE - EYE/FACE WASH	1/2" 316L stainless steel full flow ball valve with stainless steel ball
EYE/FACE WASH STRAINER	1/2" stainless steel
OVERFLOW	1" BSP uPVC
BALLCOCK VALVE	2 x 1/2" BSP brass
SHOWER VALVE LEVERS	Red reinforced nylon 6
EYE/FACE WASH VALVE LEVERS	Stainless steel
WATER TANK	2000 litre (396 US Gallons) capacity heavy density polyethylene HDPE
TANK SURROUND AND LID	Heavy-duty GRP in white (green or yellow available)
SHOWER FRAME AND LEGS (K)	Galvanised steel
SHOWER FRAME AND LEGS (KS)	Stainless steel. Polished brush finish (paint options available)
PULL RODS FOR VALVE ACTIVATION	Stainless steel
FOOT CONTROL OPTIONS	Panel foot control - galvanised or stainless steel/Treadle foot control - powder coated stainless steel
ALL FASTENERS AND FIXINGS	Stainless steel

### ENVIRONMENTAL OPERATING TEMPERATURE

MINIMUM AMBIENT OPERATING TEMPERATURE	-10° C (14° F)
MAXIMUM AMBIENT OPERATING TEMPERATURE	55° C (131° F)

### WEIGHTS AND DIMENSIONS

DIMENSIONS (WxDxH)	1420mm (55.9in) x 1495mm (58.9in) x 3746mm (147.5in)
2000 LITRE - no options	650kg (1433lbs)

View our Guide to the ANSI/ISEA Z358.1-2014 International Standard for Emergency Eyewash and Shower Equipment at [www.hughes-safety.com](http://www.hughes-safety.com)



**EXP-MH-14K/2000**  
**EXP-MH-14KS/2000**  
 Emergency Tank Shower

**OPTIONAL FITTINGS**

GRP PANELLING TO 3 SIDES

SUN SHIELDS - SET

SUMP FRAME & FOOT GRATING

SHOWER PANEL FOOT CONTROL

EYE WASH TREADLE FOOT CONTROL

EYE/FACE WASH

POINTER LEVEL INDICATOR

TEMPERATURE INDICATOR 4" DIAL

IMMERSION HEATER - FLP

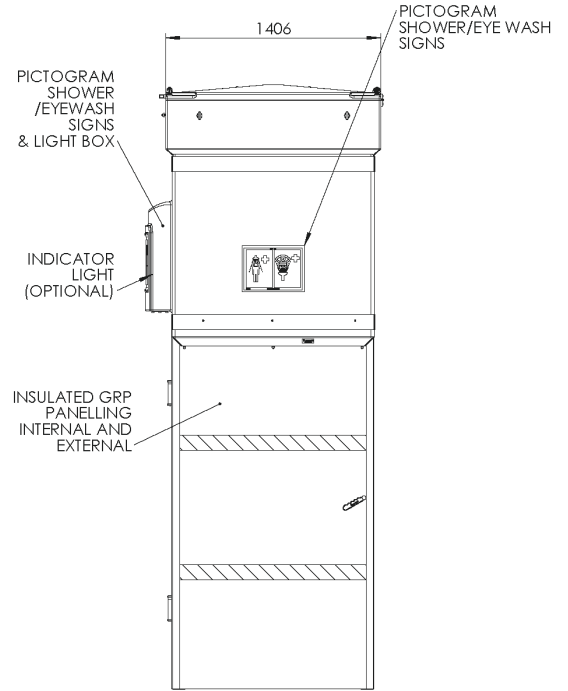
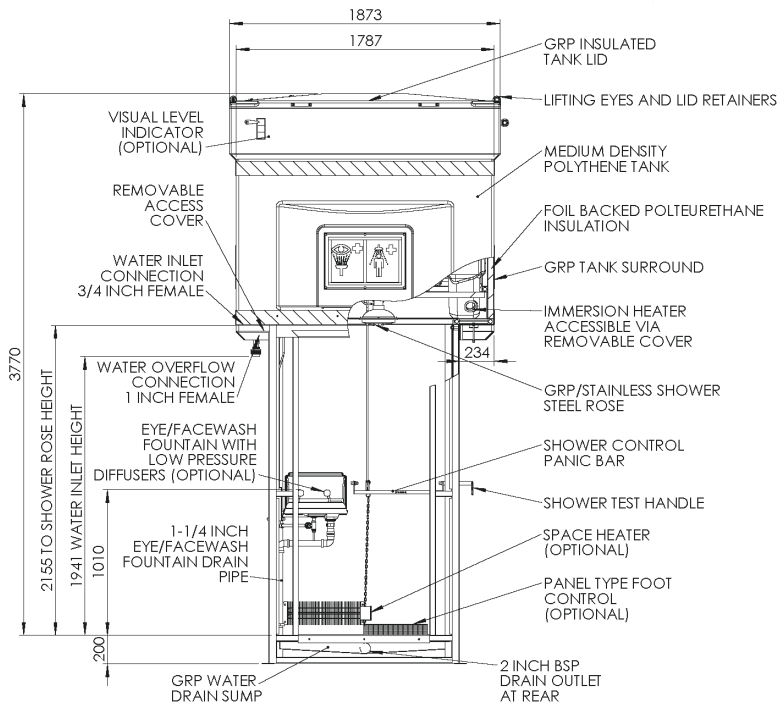
IMMERSION HEATER - NON FLP

CHILLER UNIT - FLP

CHILLER UNIT - NON FLP

LIGHT - FLP

LIGHT - NON FLP



4 HOLES M18 FOR FIXING BOLTS

PLAN VIEW DETAILING FOOTPRINT

