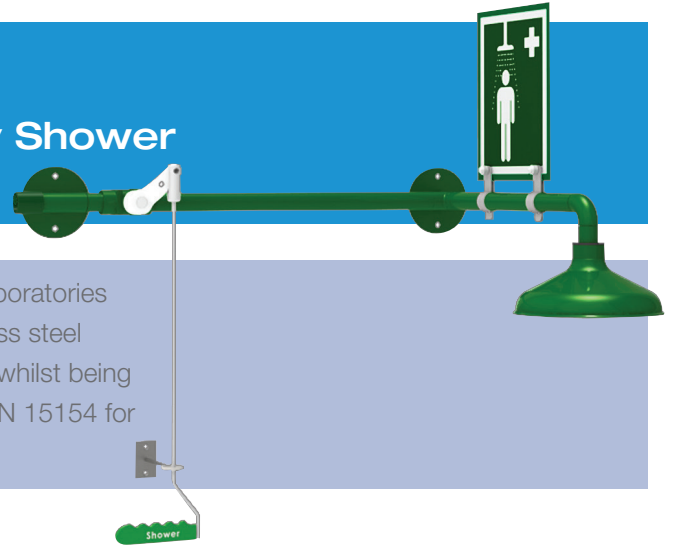


# Product Datasheet

## LAB-23GS/OD

### Indoor Unheated Emergency Safety Shower - Laboratory Range



Unheated wall-mounted laboratory shower suitable for laboratories and general light duty indoor use. The powder coated 316L stainless steel pipework ensures resistance to corrosive and flammable materials whilst being easy to clean. Meets the requirements of the European Standard EN 15154 for Laboratories.

## Specifications

### MATERIALS OF CONSTRUCTION

PIPEWORK AND FITTINGS (GS)	316L stainless steel with 150lb medium wall tubulars and fittings
OPERATING VALVE	316L stainless steel
SHOWER SPRAY OUTLET	Stainless steel shower rose
STANDARD FINISH (Stainless steel)	Green powder coated polyester finish

### SERVICES

WATER INLET	1" Female BSP
DESIGN OPERATING PRESSURE	1.5 to 6 BAR G (22 to 87 PSI) (higher supply pressures accommodated with the incorporation of the optional pressure reducing valve)
MINIMUM FLOW AT OPERATING PRESSURE	Shower: 76 litres/minute minimum (20 US Gallons)

### ENVIRONMENTAL OPERATING TEMPERATURE

MINIMUM AMBIENT OPERATING TEMPERATURE	5° C (41° F)
MAXIMUM AMBIENT OPERATING TEMPERATURE	35° C (95° F)

### OPERATIONAL

SHOWER SPRAY OPERATION	Pull handle
------------------------	-------------

### WEIGHTS and DIMENSIONS

DIMENSIONS - STANDARD ORIENTATION (WxDxH)	260mm (10.2in) x 600mm (23.6in) x 230mm (9.1in)
WEIGHT (NO OPTIONS)	5kg (11lb)

View our Guide to the ANSI/ISEA Z358.1-2014 International Standard for Emergency Eyewash and Shower Equipment at [www.hughes-safety.com](http://www.hughes-safety.com)



# HUGHES

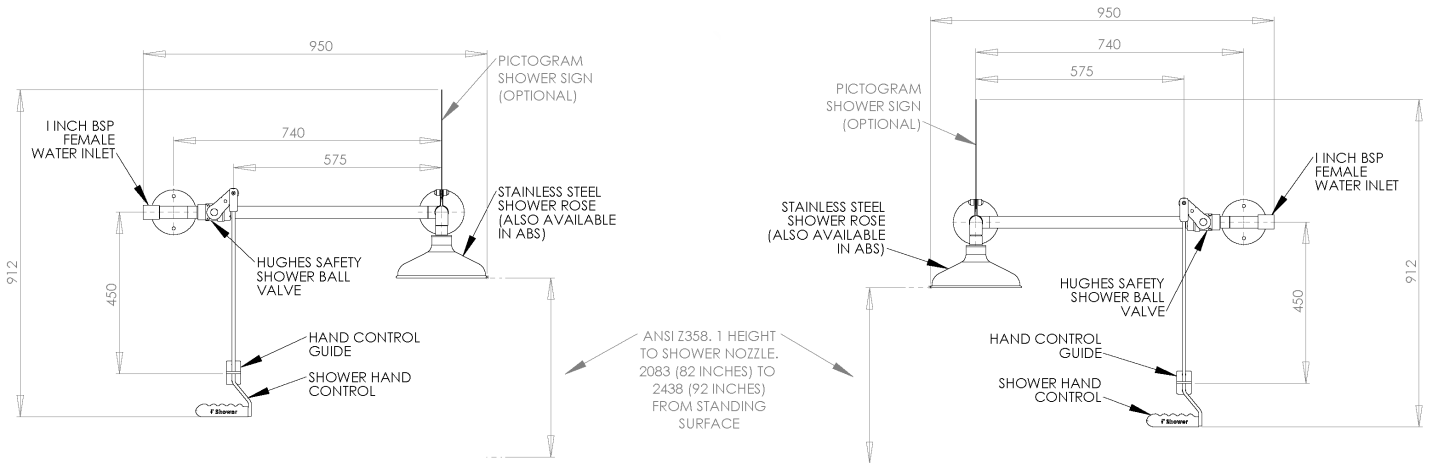


HUGHES-SAFETY.COM

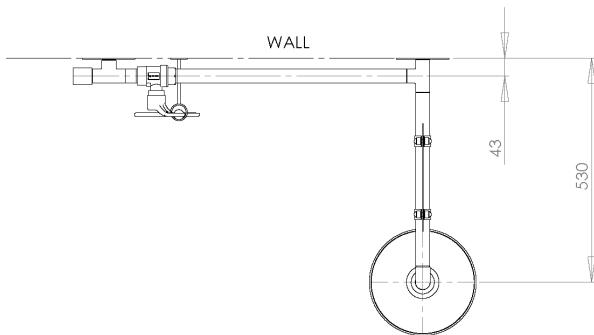
[www.hughes-safety.com](http://www.hughes-safety.com)

## LAB-23GS/OD

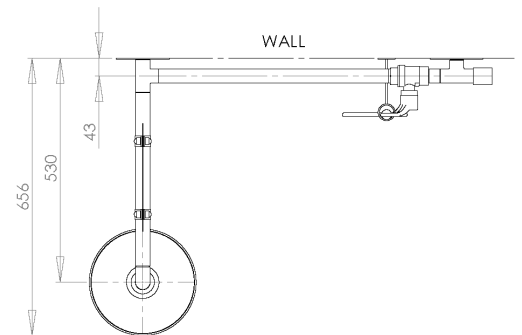
Indoor Unheated Emergency Safety Shower - Laboratory Range



INLET - LEFT HAND OF DOOR



INLET - RIGHT HAND OF DOOR



# HUGHES



[HUGHES-SAFETY.COM](http://HUGHES-SAFETY.COM)

a Justrite® Group Company

Hughes Safety Showers Ltd, Whitefield Road, Bredbury, Stockport SK6 2SS UK.

Email: [info@hughes-safety.com](mailto:info@hughes-safety.com)

Tel: +44 (0)161 430 6618

Registered No. 0939240. VAT Registration No. 918 5005 32. Hughes Safety Showers Ltd is a Justrite Group Company.