

Product Datasheet

LAB-33GS/34G

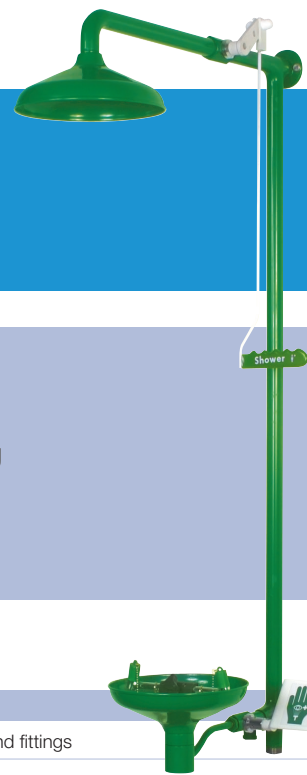
Indoor Unheated Emergency Safety Shower - Laboratory Range

Unheated wall mounted laboratory shower with eye/face wash unit suitable for laboratories and general light duty indoor use. The powder coated 316L stainless steel pipework ensures resistance to corrosive and flammable materials whilst being easy to clean.

Meets the requirements of the European Standard EN 15154 for Laboratories.

Specifications

MATERIALS OF CONSTRUCTION	
PIPEWORK AND FITTINGS (GS)	316L stainless steel with 150lb medium wall tubulars and fittings
OPERATING VALVES	316L stainless steel
SHOWER SPRAY OUTLET	Stainless steel shower rose
EYE/FACE WASH BOWL	Powder coated stainless steel
EYE WASH DIFFUSER	Chrome plated brass with stainless steel mesh
STANDARD FINISH (Stainless steel)	Green powder coated polyester finish
SERVICES	
WATER INLET	1" Male BSP
DESIGN OPERATING PRESSURE	2 to 6 BAR G (29 to 87 PSI) (higher supply pressures accommodated with the incorporation of the optional pressure reducing valve)
MINIMUM FLOW AT OPERATING PRESSURE	Shower: 76 litres/minute minimum (30 US Gallons). Eye/face wash: 12 litres/minute (3 US Gallons)
ENVIRONMENTAL OPERATING TEMPERATURE	
MINIMUM AMBIENT OPERATING TEMPERATURE	5° C (41° F)
MAXIMUM AMBIENT OPERATING TEMPERATURE	35° C (95° F)
OPERATIONAL	
SHOWER SPRAY OPERATION	Pull handle
EYE/FACE WASH OPERATION	Push plate
WEIGHTS and DIMENSIONS	
DIMENSIONS - STANDARD ORIENTATION (WxDxH)	320mm (12.6in) x 815mm (32.1in) x 1410mm (55.5in)
WEIGHT (NO OPTIONS)	13kg (29lb)

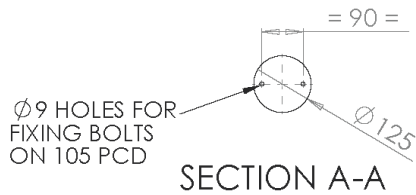
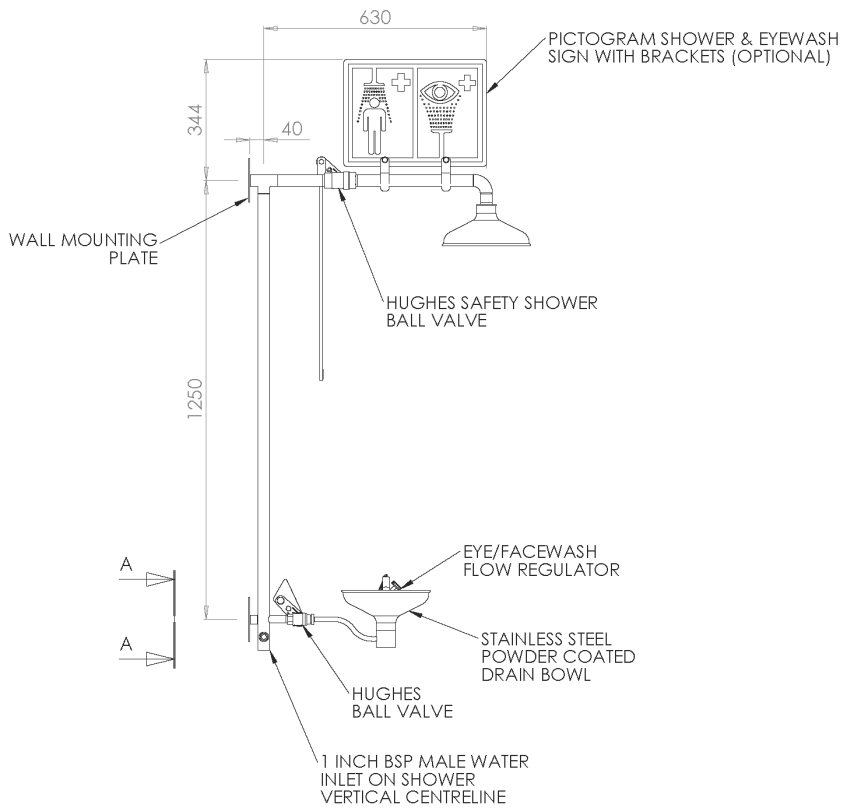


View our Guide to the ANSI/ISEA Z358.1-2014 International Standard for Emergency Eyewash and Shower Equipment at www.hughes-safety.com

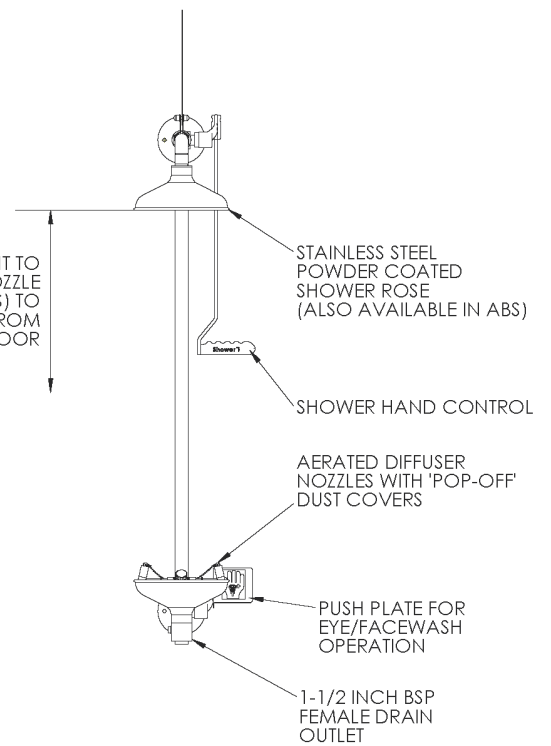


LAB-33GS/34G

Indoor Unheated Emergency Safety Shower - Laboratory Range



ANSI Z358.1 HEIGHT TO SHOWER NOZZLE 2083mm (82 INCHES) TO 2438mm (96 INCHES) FROM FREE STANDING FLOOR



HUGHES



HUGHES-SAFETY.COM

a Justrite® Group Company

Hughes Safety Showers Ltd, Whitefield Road, Bredbury, Stockport SK6 2SS UK.

Email: info@hughes-safety.com

Tel: +44 (0)161 430 6618

Registered No. 0939240. VAT Registration No. 918 5005 32. Hughes Safety Showers Ltd is a Justrite Group Company.