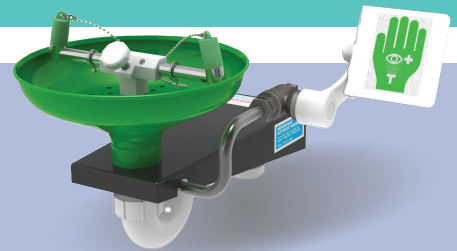


Product Datasheet

LAB-85GS

Emergency Eye/Face Wash - *Laboratory Range*



Wall-mounted eye/face wash with integral powder coated stainless steel bowl which meets the requirements of the European Standard EN 15154 for Laboratories. Dust covers protect the twin spray nozzles from contaminants and are lifted off by the water jets upon operation. The eye wash diffusers are fitted with fine mesh strainers and individual flow controllers and are designed to give a gentle flow of aerated water.

Specifications

MATERIALS OF CONSTRUCTION

| | |
|-----------------------------------|---|
| PIPEWORK & FITTINGS (GS) | 316L stainless steel with 150lb medium wall tubulars & fittings |
| OPERATING VALVE | 316L stainless steel |
| EYE/FACE WASH BOWL | Powder coated stainless steel |
| EYE WASH DIFFUSERS | Chrome plated brass with stainless steel mesh |
| STAINLESS STEEL - STANDARD FINISH | Green powder coated polyester finish |

SERVICES

| | |
|---------------------------|--|
| WATER INLET | 1/2" Female BSP |
| DESIGN OPERATING PRESSURE | 2.0 to 6 BAR G (29 to 87 PSI) (higher supply pressures accommodated with the incorporation of the optional pressure reducing valve) |
| TEST PRESSURE | 10.3 BAR G (149 PSI) |
| MINIMUM FLOW RATES | 12 litres/minute minimum (3 US Gallons) |

ENVIRONMENTAL OPERATING TEMPERATURE

| | |
|---------------------------------------|---------------|
| MINIMUM AMBIENT OPERATING TEMPERATURE | 5° C (41° F) |
| MAXIMUM AMBIENT OPERATING TEMPERATURE | 35° C (95° F) |

ACTIVATION/OPERATION

| | |
|---------------|--|
| EYE/FACE WASH | Push plate operated (Optional treadle foot control for hands free operation) |
|---------------|--|

WEIGHTS and DIMENSIONS

| | |
|--------------------|--|
| DIMENSIONS (WxDxH) | 429mm (16.9in) x 400mm (15.7in) x 290mm (11.4in) |
| WEIGHT | 4kg (8lbs) |

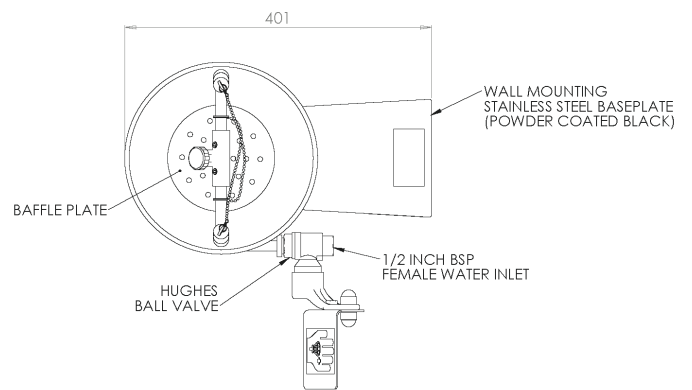
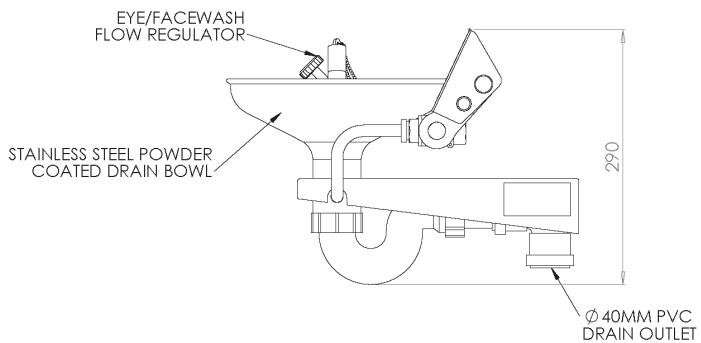
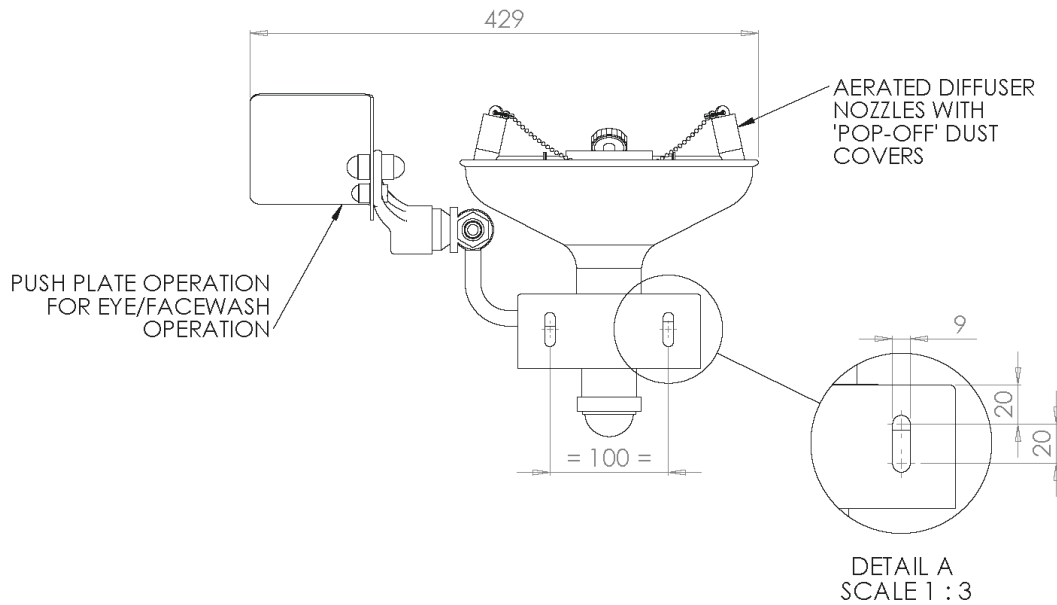
View our Guide to the ANSI/ISEA Z358.1-2014 International Standard for Emergency Eyewash and Shower Equipment at www.hughes-safety.com



LAB-85GS

Emergency Eye/Face Wash - Plumbed in Laboratory

VIEW ON REAR



HUGHES



HUGHES-SAFETY.COM

a Justrite® Group Company

Hughes Safety Showers Ltd, Whitefield Road, Bredbury, Stockport SK6 2SS UK.

Email: info@hughes-safety.com

Tel: +44 (0)161 430 6618

Registered No. 0939240. VAT Registration No. 918 5005 32. Hughes Safety Showers Ltd is a Justrite Group Company.