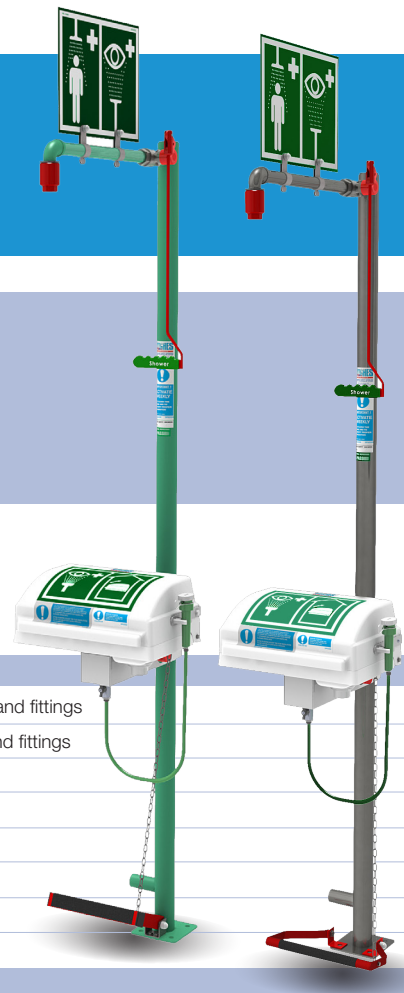


# Product Datasheet

## STD-18K/25K STD-18KS/25K Indoor Unheated Emergency Safety Shower

Floor mounted emergency safety shower with closed bowl eye/face wash unit incorporating an auxiliary handheld eyebath on a flexible hose. Eye/face wash orientation can be varied to suit clients' requirements.  
Available with either galvanised mild steel or 316L stainless steel pipework.



### Specifications

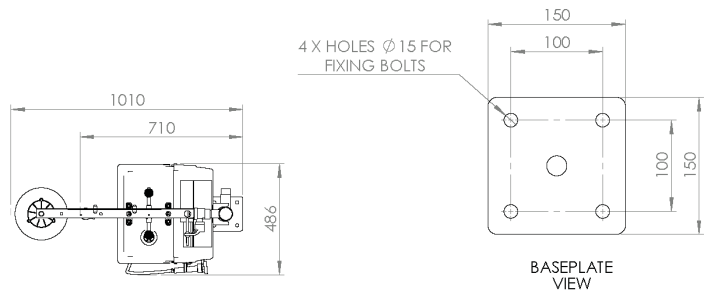
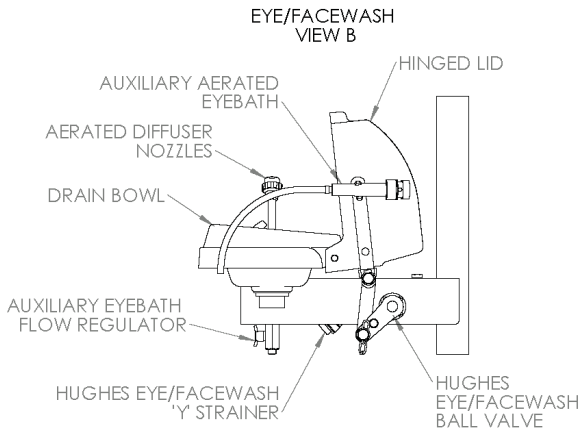
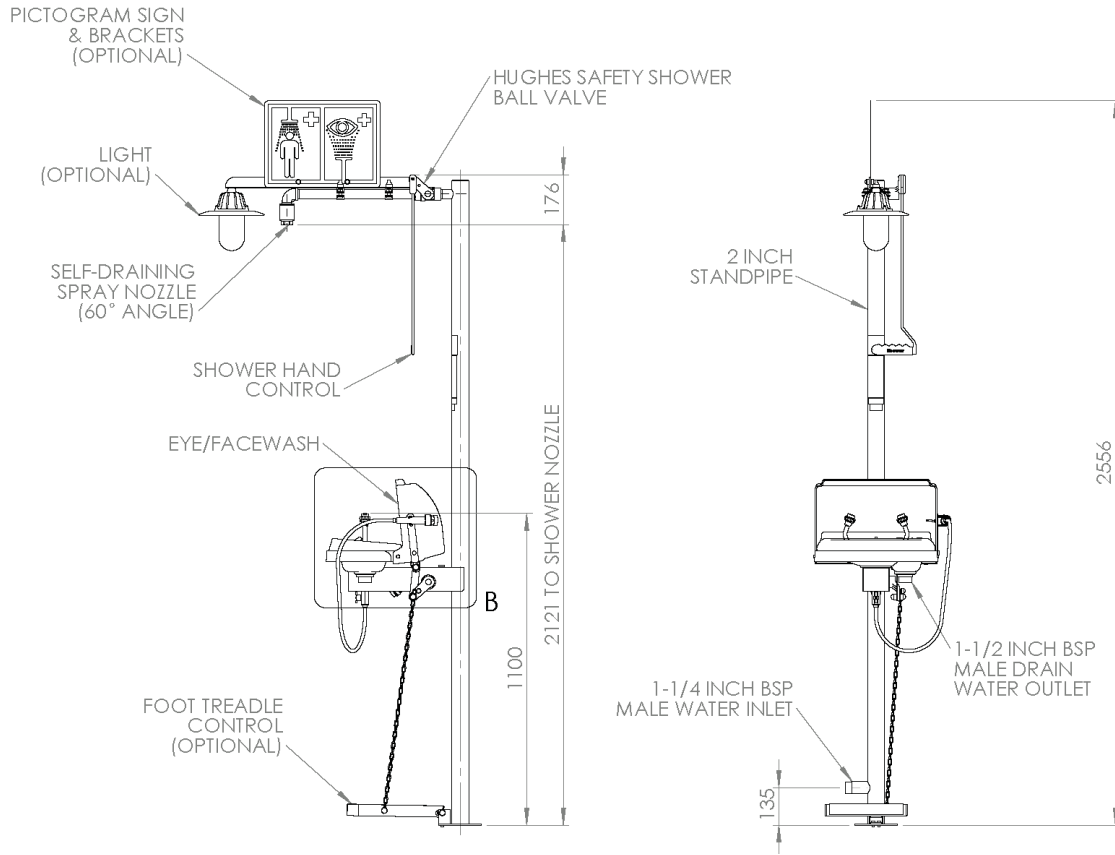
MATERIALS OF CONSTRUCTION	
PIPEWORK AND FITTINGS (K)	Galvanised mild steel with 150lb medium wall tubulars and fittings
PIPEWORK AND FITTINGS (KS)	316L stainless steel with 150lb medium wall tubulars and fittings
OPERATING VALVES	316L stainless steel, two piece stay open valve
SHOWER SPRAY OUTLET	Machine moulded nylon 6 red shower nozzle
EYE/FACE WASH BOWL/LID	GRP
EYE WASH DIFFUSERS	Chrome plated brass with stainless steel mesh
STANDARD FINISH (Galvanised mild steel)	Green powder coated (alternative colours available)
STANDARD FINISH (Stainless steel)	Polished brush finish (paint options available)
SERVICES	
WATER INLET	1 <sup>1</sup> / <sub>4</sub> " Female BSP
DESIGN OPERATING PRESSURE	2.0 to 6 BAR G (29 to 87 PSI) (higher supply pressures accommodated with the incorporation of the optional pressure reducing valve)
TEST PRESSURE	10.3 BAR G (149 PSI)
MINIMUM FLOW AT OPERATING PRESSURE	Shower: 76 litres/minute minimum (20 US Gallons). Eye/face wash: 12 litres/minute minimum (3 US Gallons) Handheld eye bath: 8 litres/minute (2 US Gallons)
ENVIRONMENTAL OPERATING TEMPERATURE	
MINIMUM AMBIENT OPERATING TEMPERATURE	5° C (41° F)
MAXIMUM AMBIENT OPERATING TEMPERATURE	35° C (95° F)
OPERATIONAL	
SHOWER SPRAY OPERATION	Pull handle (optional foot panel for hands free operation)
EYE/FACE WASH OPERATION	Pull lid down (optional foot treadle for hands free operation)
WEIGHTS and DIMENSIONS	
DIMENSIONS - STANDARD ORIENTATION (WxDxH)	475mm (18.7in) x 750mm (29.5in) x 2320mm (91.3in)
WEIGHT (NO OPTIONS)	25kg (55lb)

View our Guide to the ANSI/ISEA Z358.1-2014 International Standard for Emergency Eyewash and Shower Equipment at [www.hughes-safety.com](http://www.hughes-safety.com)



**STD-18K-25K**  
**STD-18KS-25K**

*Indoor Unheated Emergency Safety Shower*



**HUGHES**



**HUGHES-SAFETY.COM**

a Justrite® Group Company

Hughes Safety Showers Ltd, Whitefield Road, Bredbury, Stockport SK6 2SS UK.

Email: [info@hughes-safety.com](mailto:info@hughes-safety.com)

Tel: +44 (0)161 430 6618

Registered No. 0939240. VAT Registration No. 918 5005 32. Hughes Safety Showers Ltd is a Justrite Group Company.