

# Product Datasheet

## STD-75G/P STD-75GS/P Emergency Eye/Face Wash - *Plumbed in*

Pedestal mounted emergency eye/face wash with open ABS bowl featuring twin spray nozzles protected by dust covers. When activated via the push plate, the water jets lift off the dust covers. The eye wash diffusers are fitted with fine mesh strainers and individual flow controllers designed to give a gentle flow of aerated water. Available with either galvanised or 316L stainless steel pipework.



## Specifications

### MATERIALS OF CONSTRUCTION

PIPEWORK AND FITTINGS (G)	Galvanised mild steel with 150lb medium wall tubulars and fittings
PIPEWORK AND FITTINGS (GS)	316L stainless steel with 150lb medium wall tubulars and fittings
EYE/FACE WASH BOWL/LID	ABS plastic
EYE/FACE WASH DIFFUSERS	Chrome plated brass with stainless steel mesh
STANDARD FINISH (Galvanised mild steel)	Green powder coated (alternative colours available)
STANDARD FINISH (Stainless steel)	Polished brush finish (paint options available)

### SERVICES

WATER INLET	1 1/4" Female BSP
DESIGN OPERATING PRESSURE	2.0 to 6 BAR G (29 to 87 PSI) (higher supply pressures accommodated with the incorporation of the optional pressure reducing valve)
TEST PRESSURE	10.3 BAR G (149 PSI)
MINIMUM FLOW RATES	12 litres/minute minimum (3 US Gallons)

### ENVIRONMENTAL OPERATING TEMPERATURE

MINIMUM AMBIENT OPERATING TEMPERATURE	5° C (41° F)
MAXIMUM AMBIENT OPERATING TEMPERATURE	35° C (95° F)

### ACTIVATION/OPERATION

EYE/FACE WASH OPERATION	Push plate operated (optional foot treadle control for hands free operation)
-------------------------	--

### WEIGHTS and DIMENSIONS

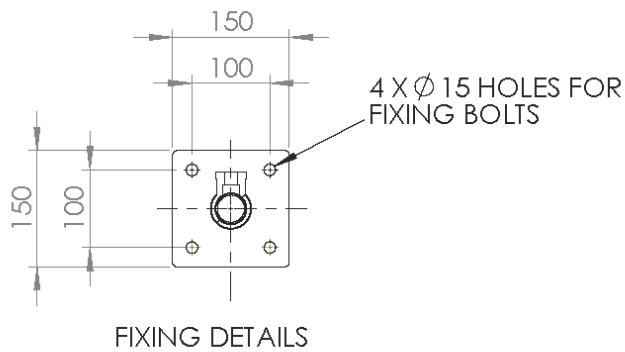
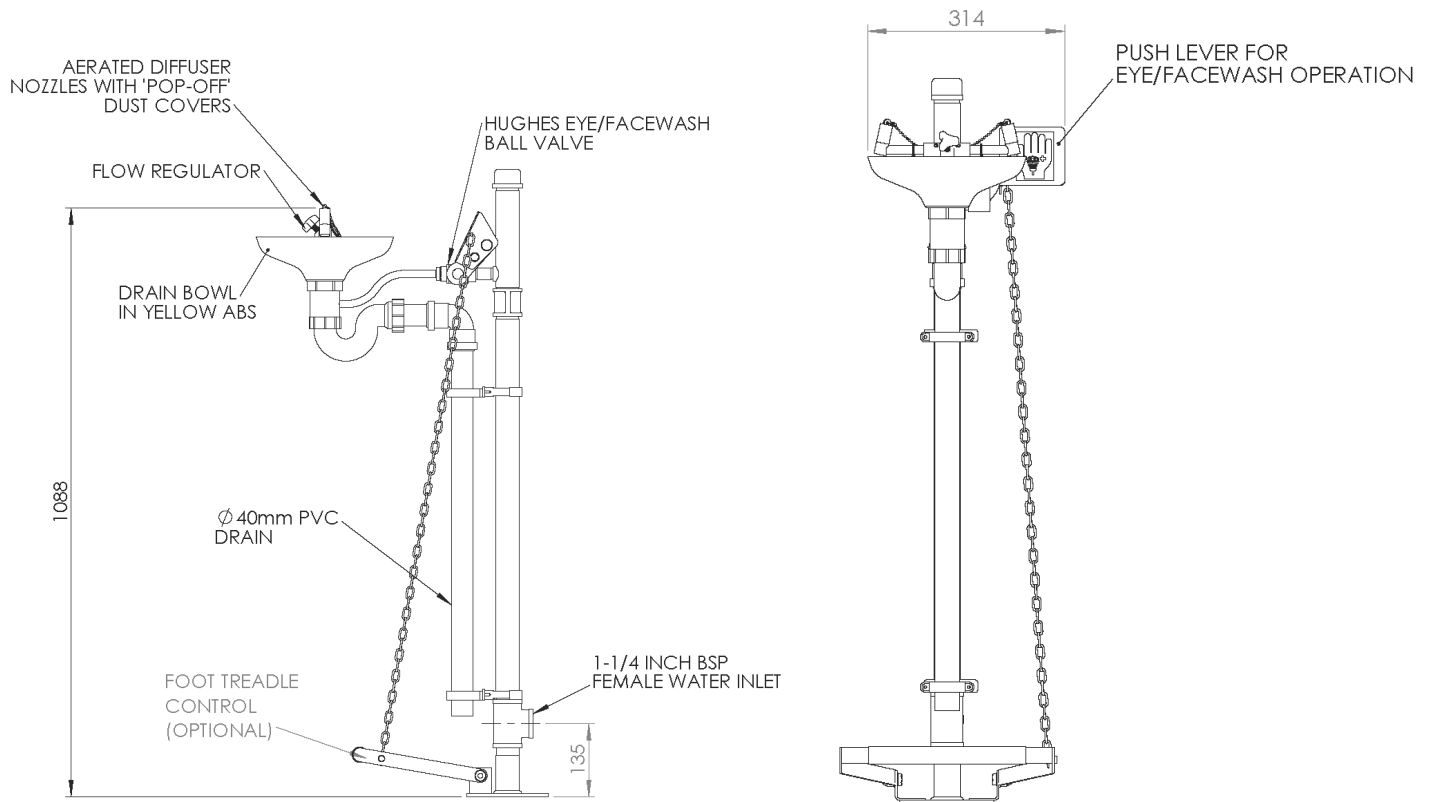
DIMENSIONS (WxDxH)	314mm (12.4in) x 535mm (21.1in) x 1154mm (45.4in)
WEIGHT	10kg (22lb)

View our Guide to the ANSI/ISEA Z358.1-2014 International Standard for Emergency Eyewash and Shower Equipment at [www.hughes-safety.com](http://www.hughes-safety.com)



**STD-75G/P**  
**STD-75GS/P**

Emergency Eye/Face Wash - Plumbed in



**HUGHES**



**HUGHES-SAFETY.COM**

a Justrite® Group Company

Hughes Safety Showers Ltd, Whitefield Road, Bredbury, Stockport SK6 2SS UK.

Email: [info@hughes-safety.com](mailto:info@hughes-safety.com)

Tel: +44 (0)161 430 6618

Registered No. 0939240. VAT Registration No. 918 5005 32. Hughes Safety Showers Ltd is a Justrite Group Company.